

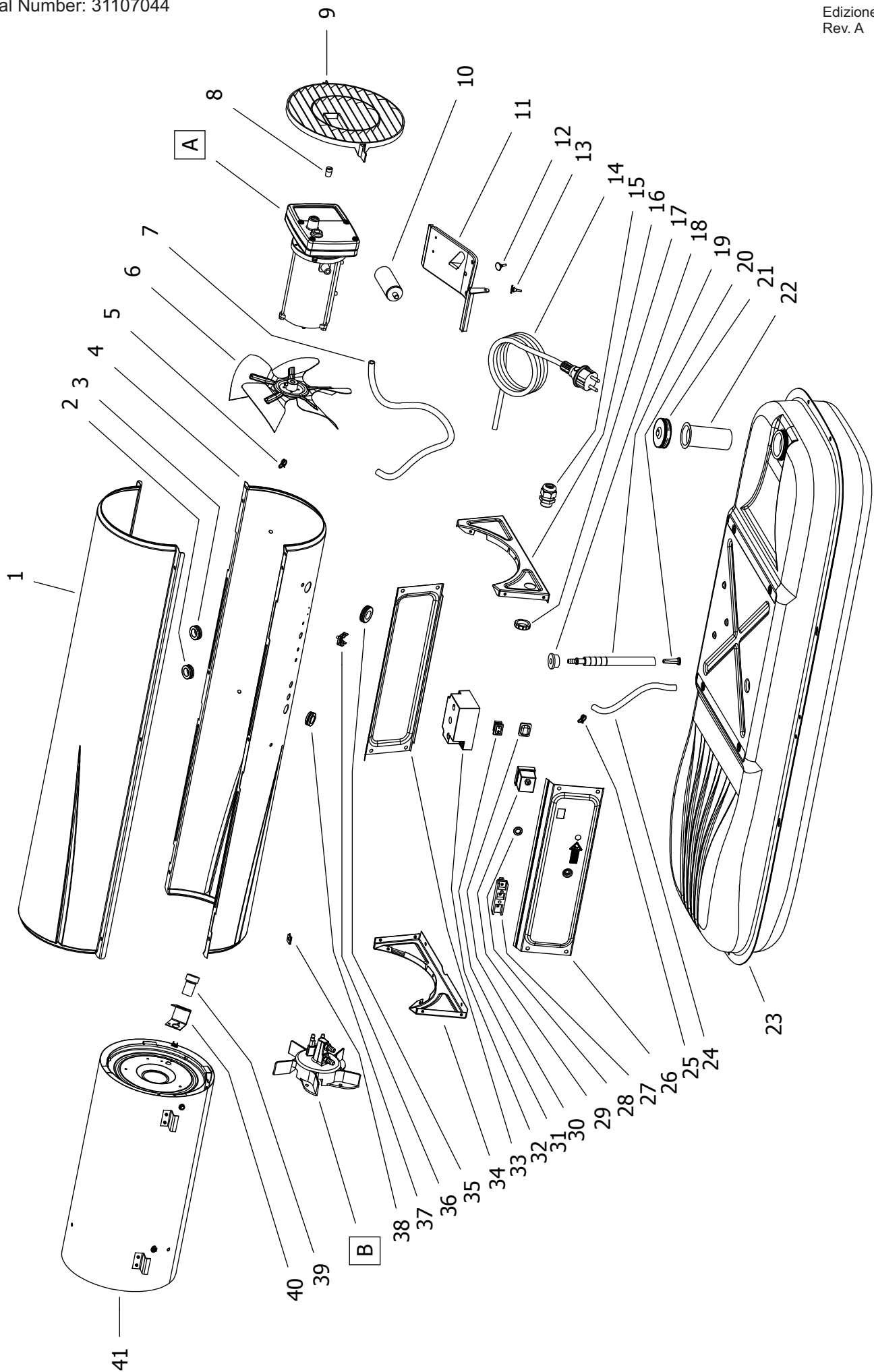
B 150 CED 2011 MODEL

UNIT 1

ILLUSTRATED PARTS BREAKDOWN

Edizione 2011
Rev. A

From Serial Number: 31107044



B 150 CED 2011 MODEL

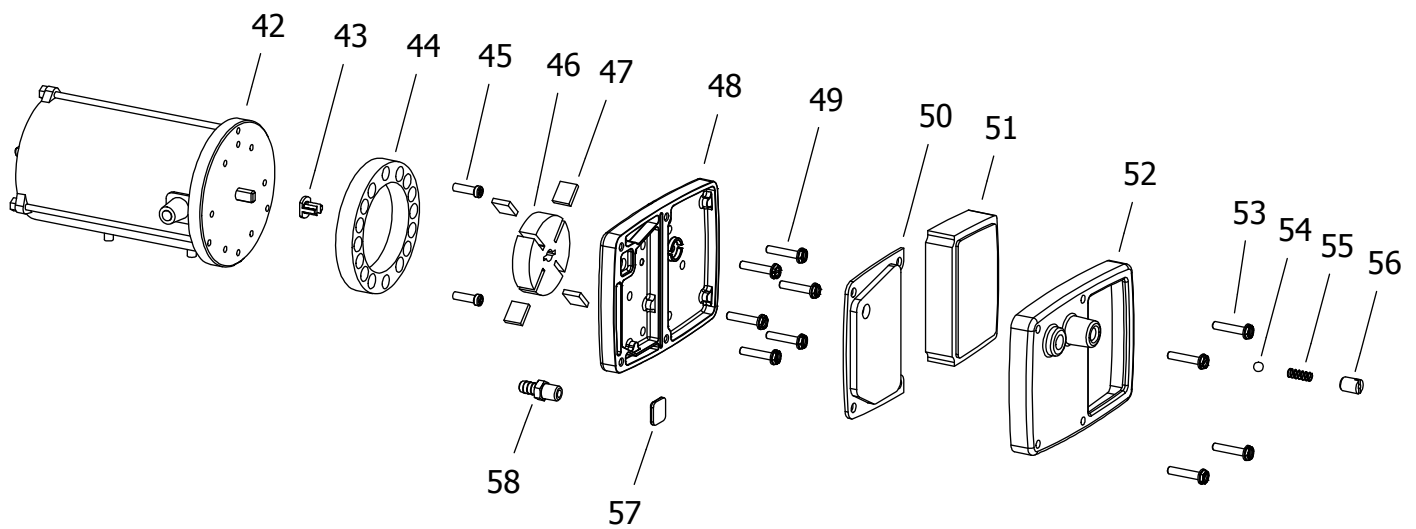
UNIT 2

ILLUSTRATED PARTS BREAKDOWN

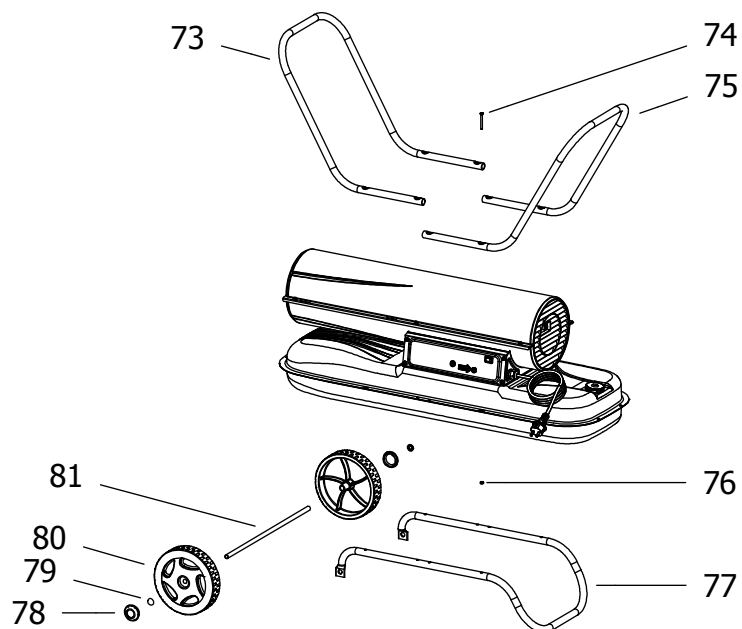
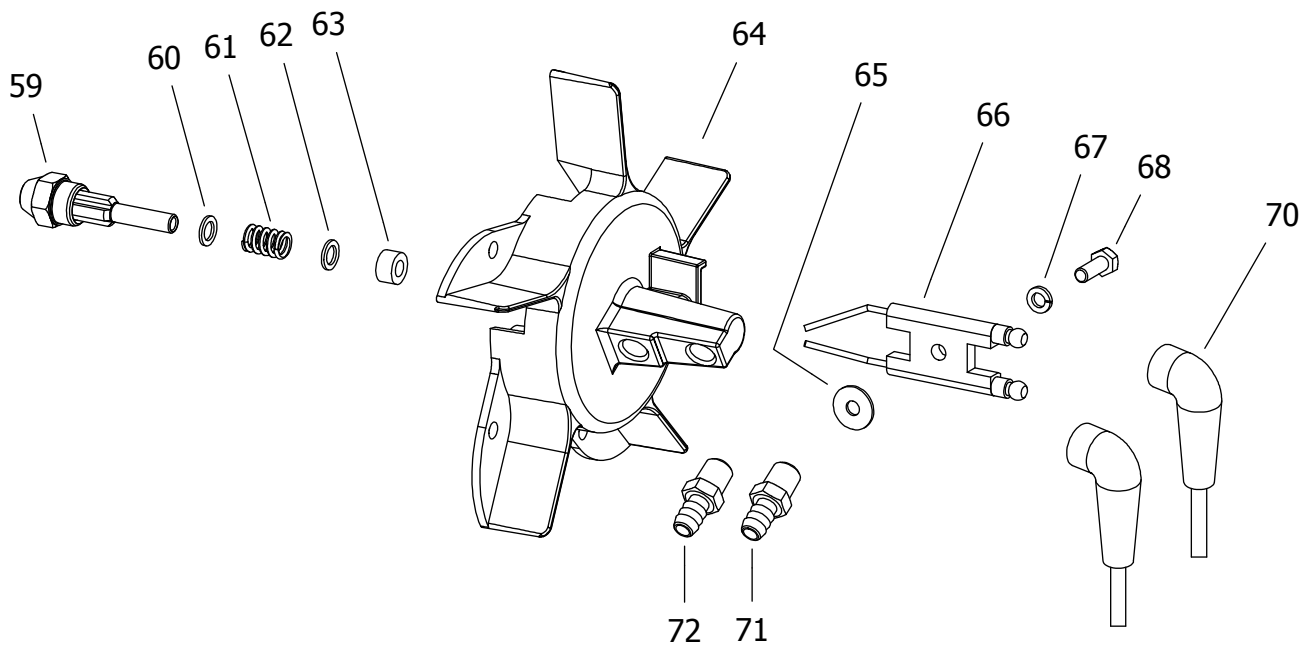
A

From Serial Number: 31107044

Edizione 2011
Rev. A



B



| Pos. | Code NR | Description |
|------|----------|---------------------|
| 1 | 4110.360 | UPPER SHELL |
| 2 | 4100.151 | GROMMET |
| 3 | 4101.151 | GROMMET |
| 4 | 4110.359 | LOWER SHELL |
| 5 | 4110.159 | CLAMP |
| 6 | 4105.062 | FAN |
| 7 | 4104.147 | AIR LINE |
| 8 | 4102.125 | PRESSURE GAUGE CAP |
| 9 | 4103.695 | FAN GUARD |
| 10 | 4110.294 | CAPACITOR |
| 11 | 4101.240 | MOTOR BRACKET |
| 12 | 4150.553 | BUMPER |
| 13 | 4150.553 | BUMPER |
| 14 | 4110.451 | POWER CORD |
| 15 | 4150.528 | STRAIN RELIEF |
| 16 | 4110.353 | REAR FRAME BRACKET |
| 17 | 4100.656 | LOCKNUT |
| 18 | 4100.541 | RUBBER BUSHING |
| 19 | 4110.355 | FUEL LINE |
| 20 | 4110.356 | FUEL FILTER |
| 21 | 4103.891 | FUEL TANK CAP |
| 22 | 4105.292 | FUEL TANK FILTER |
| 23 | 4110.891 | FUEL TANK |
| 24 | 4110.032 | FUEL LINE |
| 25 | 4110.159 | CLAMP |
| 26 | 4111.819 | LEFT PANEL |
| 27 | 4106.110 | TERMINAL BOARD |
| 28 | 4109.592 | NUT |
| 29 | 4104.196 | FLAME-OUT CONTROL |
| 30 | 4104.336 | COVER SWITCH |
| 31 | 4106.179 | ON/OFF SWITCH |
| 32 | 4111.885 | ELECTRONIC IGNITOR |
| 33 | 4110.379 | RIGHT PANEL |
| 34 | 4110.354 | FRONT FRAME BRACKET |
| 35 | 4160.646 | GROMMET |
| 36 | 4160.639 | RIVET POP |
| 37 | 4101.151 | GROMMET |
| 38 | 4104.170 | CLIP NUT |
| 39 | 4110.564 | PHOTOCELL ASSEMBLY |
| 40 | 4100.659 | PHOTOCELL BRACKET |
| 41 | 4110.595 | COMBUSTION CHAMBER |
| 42 | 4110.452 | MOTOR 1/4 HP |
| 43 | 4108.635 | INSERT |

| Pos. | Code NR | Description |
|------|----------|------------------------|
| 44 | 4101.532 | PUMP BODY |
| 45 | 4108.590 | PUMP BODY SCREW |
| 46 | 4103.441 | ROTOR |
| 47 | 4101.666 | BLADE |
| 48 | 4101.325 | PUMP END COVER |
| 49 | 4108.536 | SCREW/LOCKWASHER |
| 50 | 4101.341 | OUTPUT FILTER |
| 51 | 4101.358 | INTAKE FILTER |
| 52 | 4108.643 | END COVER |
| 53 | 4108.528 | SCREW/LOCKWASHER |
| 54 | 4108.379 | STEEL BALL |
| 55 | 4102.141 | PRESSURE RELIEF SPRING |
| 56 | 4102.133 | ADJUSTING SCREW |
| 57 | 4101.333 | LINT FILTER |
| 58 | 4104.118 | BARB FITTING |
| 59 | 4103.898 | NOZZLE |
| 60 | 4100.525 | WASHER |
| 61 | 4100.533 | NOZZLE SEAL SPRING |
| 62 | 4100.525 | WASHER |
| 63 | 4101.622 | NOZZLE SEAL SLEEVE |
| 64 | 4110.377 | BURNER HEAD BODY |
| 65 | 4110.394 | FIBER WASHER |
| 66 | 4110.337 | BIFILAR ELECTRODES |
| 67 | 4110.393 | WASHER |
| 68 | 4110.363 | SCREW |
| 70 | 4111.831 | HT CABLE |
| 71 | 4104.118 | BARB FITTING |
| 72 | 4104.118 | BARB FITTING |
| 73 | 4110.368 | HANDLE |
| 74 | 4110.144 | SCREW |
| 75 | 4110.368 | HANDLE |
| 76 | 4110.143 | LOCK NUT |
| 77 | 4110.369 | WHEEL SUPPORT FRAME |
| 78 | 4110.129 | CAP NUT |
| 79 | 4110.162 | WASHER |
| 80 | 4110.084 | WHEEL |
| 81 | 4110.370 | AXLE |